

## IQ500, Washing machine, front loader, 10 kg, max. 1600 rpm WG56G2Z0GB



Outstanding laundry performance with speedPack L for fast washing and automatic stainRemoval to avoid manual pre-treatment.

- ✓ speedPack L: speed up your cycle, or wash clothes in just 15 minutes.
- ✓ stainRemoval system: removes four types of stubborn stain without pretreatment.
- ✓ Our new 10kg Washing machines provide more capacity for your individual laundry needs.
- ✓ Best Energy Efficiency label A: Our most energy-efficient washing machines.
- ✓ Large LED display: easily view your washer's functions. And control it with a simple touch.

### Features

#### Technical Data

Energy Efficiency Class<sup>1</sup>: ..... A  
 Weighted energy consumption in kWh per 100 washing cycles of eco 40-60 programme: ..... 51 kWh/100 cycles  
 Rated capacity, in kg, for the eco programme at full load (EU 2017/1369): ..... 10.0 kg  
 The water consumption of the eco programme in liters per cycle: 52 l  
 Duration of eco 40-60 programme in hours and mins at rated capacity: ..... 3:50 h  
 Spin-drying efficiency class of eco 40-60 programme: ..... A  
 Airborne acoustical noise emission class: ..... B  
 Airborne acoustical noise emissions : ..... 74 dB(A) re 1pW  
 Built-in / Free-standing: ..... Freestanding  
 Dimensions of the product: ..... 845x598x590 mm  
 Weight: ..... 78.5 kg  
 Connection Rating: ..... 2300 W  
 Fuse protection: ..... 10 A  
 Nominal power: ..... 220-240 V  
 Frequency: ..... 50-60 Hz  
 Length electrical supply cord: ..... 210 cm  
 Door hinge: ..... Left  
 Wheels: ..... No  
 EAN code: ..... 4242003960820  
 Installation type: ..... Freestanding



### Optional accessories

WX975600	Floor securing component
WZ10131	Extension for cold water inlet /Aquastop
WZWP40W	Platform with pull-out, washer, cubic

<sup>1</sup> Scale of Energy Efficiency Classes from A to G

## IQ500, Washing machine, front loader, 10 kg, max. 1600 rpm WG56G2Z0GB

### Features

#### Performance

- Energy Efficiency Class<sup>1</sup>: A
- Energy<sup>2</sup> / Water<sup>3</sup>: 51 kWh / 52 litres
- Load capacity: 1 - 10 kg
- Programme duration<sup>4</sup>: 3:50 h:min
- Spin drying efficiency class: A
- Spin speed<sup>\*\*</sup>: 0 - 1600 rpm
- Noise level: 74 dB (A) re 1 pW
- Noise efficiency class: B

#### Programmes/functions

- Standard programmes: cottons, easy care, delicates, wool hand wash
- Special programmes: drum clean with reminder, shirts/blouses, Outdoor, drain / spin, mixed fabrics, single rinse, rapid 15 minute quick wash, Hygiene

#### Key features

- varioSpeed: Up to 65% reduced washing cycle <sup>\*\*\*</sup>
- autoStain removal system (ASR) - 4 stain removal options at the touch of a button
- Touch control buttons: less ironing, Ready in, stain selection, start/pause with reload function, temperature selection, varioSpeed, prewash, spin speed selection, Water & Rinse Plus/Rinse Hold

#### Additional features

- Reload Function: Stop the washing machine to add any forgotten items of laundry to the drum.
- Large LED-Display for programme status indication, max. spin speed, remaining time and 24 h end time delay and load recommendation
- Drum volume: 70 litres
- Usage meter: counts completed programmes
- drum interior light
- waveDrum: for highly effective and extremely gentle laundry care
- drum clean with reminder function
- Large Liquid-chrome matt, black door with 165° opening and 32cm porthole opening
- Reload facility
- iQdrive with 10 year warranty
- EcoSilence drive with 10 year warranty
- waterPerfect Plus: for efficient use of water even with small loads thanks to intelligent sensor technology.
- autoStain removal system (ASR)
- antiVibration Design - for more stability and quietness
- Aqua Protection
- soft dial
- Foam detection system
- Out of balance load adjustment
- Electronic child safety package
- Acoustic signals: Buzzer
- Detergent dispensing: easy clean
- Divider for Liquid Detergent

#### Technical Information

- Slide-under installation
- Dimensions (H x W): 84.5 cm x 59.8 cm
- Appliance depth: 59.0 cm
- Appliance depth incl. door: 63.6 cm
- Appliance depth with open door: 107.3 cm

<sup>1</sup> Scale of Energy Efficiency Classes from A to G

<sup>2</sup> Energy consumption in kWh per 100 cycles (in programme Eco 40-60)

<sup>3</sup> Weighted water consumption in litres per cycle (in programme Eco 40-60)

<sup>4</sup> Duration of Eco 40-60 programme

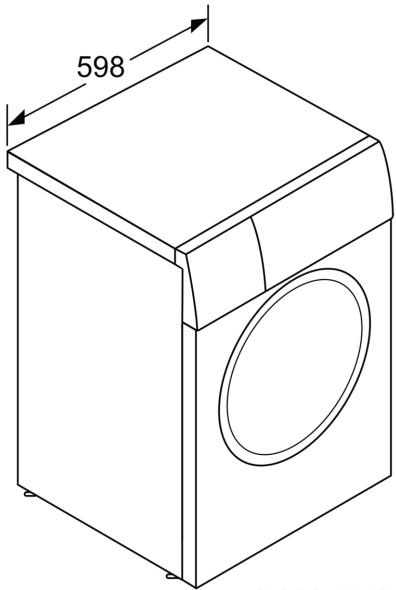
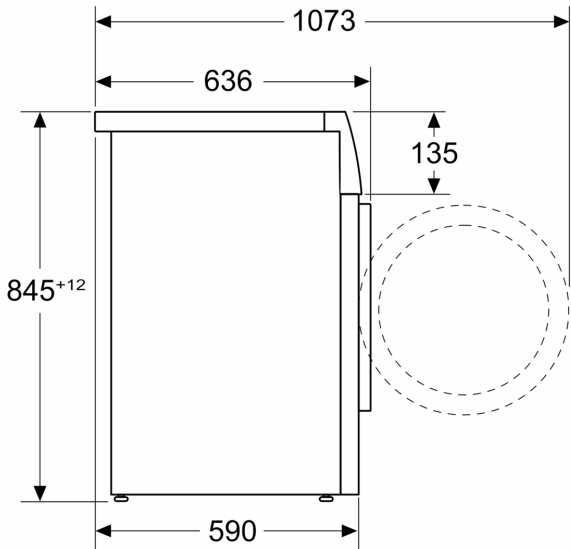
<sup>\*\*</sup> The maximum spin speed is automatically reduced in the case of laundry imbalances.

<sup>\*\*\*</sup> Comparison between the program duration of Easy-care 40°C and the program duration of Easy-care 40°C + activated varioSpeed option

**IQ500, Washing machine, front loader, 10 kg, max. 1600 rpm  
WG56G2Z0GB**

Dimensioned drawings

Measurements in mm



measurements in mm